



Republic of the Philippines
SOUTHERN LUZON STATE UNIVERSITY
Lucban, Quezon



REQUEST FOR QUOTATION

**CONSTRUCTION OF STRUCTURAL FRAMING SYSTEM OF NIPA SUGAR LABORATORY – SLSU
INFANTA (PMO)**

**Purchase Request No. 2026-03-0925
Approved Budget for the Contract: ₱ 750,000.00**


The Southern Luzon State University through the Bids and Awards Committee invites interested firms/supplier to submit quotation for the procurement of **Construction of Structural Framing System of Nipa Sugar Laboratory – SLSU Infanta (PMO)** to apply the sum of **Seven Hundred Fifty Thousand Pesos Only (₱750,000.00)** inclusive of VAT, being the **Approved Budget for the Contract (ABC)**, details as follows:

Qty.	Unit	ITEM/S DESCRIPTION
1	lot	Construction of Structural Framing System of Nipa Sugar Laboratory - SLSU Infanta

1. The quotation must be submitted (can also be sent thru email at the contact details listed below) or to the Office of the Procurement Office/Bids and Awards Committee, Southern Luzon State University, 2nd Flr. Hermano Puli Building, and shall be received by the Committee.

E-mail : slsuprocedurement@slsu.edu.ph

2. The SLSU reserves the right to reject any or all quotations and/or proposals and waive any formalities/ informalities therein and to accept such bids it may consider as most advantageous to the agency and to the government. Southern Luzon State University SLSU neither assumes any obligation for whatsoever losses that may be incurred in the preparation of bids, nor does it guarantee that an award will be made.


MARIDEL C. ZABELLA
Director, Procurement Office
Southern Luzon State University
Lucban, Quezon
Tel. No.: (042)540-6519

Republic of the Philippines
SOUTHERN LUZON STATE UNIVERSITY
Project Management Office
Lucban , Quezon

PROJECT TITLE : Construction of Structural Framing System for Nipa Sugar Laboratory - SLSU Infanta

PROJECT LOCATIONS: SLSU Infanta Campus, Brgy. Tongohin, Lucban, Quezon

OWNER : Southern Luzon State University

ABC : P 750,000.00

PROJECT DURATION : 120 Calendar Days

PROJECT BRIEF DESCRIPTION : Construction of Trusses and Roofing for the 90 square meter area of Nipa Sugar Laboratory-SLSU Infanta

SUMMARY

ITEM	DESCRIPTION	COST OF MATERIALS	COST OF LABOR AND EQUIPMENT	TOTAL
I	General Works	-		
II	Demolition Works	-		
III	Formworks			
IV	Reinforced Concrete Works			
V	Masonry Works			
VI	General Finishes			
VII	Truss and Tinsmithry Works			
VIII	Ceiling Works			
IX	Electrical Works			
X	Sanitary Works			
		TOTAL ESTIMATED DIRECT COST P		
INDIRECT COST		<i>OVERHEAD, CONTINGENCIES & MISC.(OCM) P</i>		
		<i>CONTRACTOR'S PROFIT P</i>		
		<i>VALUE ADDED TAX (VAT) P</i>		
		TOTAL PROJECT COST P		

TOTAL PROJECT COST IN WORDS: _____

CONTRACTOR / BIDDER : _____



Republic of the Philippines
SOUTHERN LUZON STATE UNIVERSITY
Project Management Office
Lucban , Quezon

PROJECT TITLE : Construction of Structural Framing System for Nipa Sugar Laboratory - SLSU Infanta
PROJECT LOCATIONS: SLSU Infanta Campus, Brgy. Tongohin, Lucban, Quezon
OWNER : Southern Luzon State University
MODE OF IMPLEMENTATION : by Contract
PROJECT DURATION : 120 Calendar Days

BILL OF MATERIALS

I. General Works				
Quantity	Unit	Description	Unit Cost	Total Cost
1.00	lot	Mobilization / Demobilization		
1.00	lot	Temporary Facility		
1.00	lot	Project Identification & Signs, Tarpaulin with Marine Plywood Backing, Material Testing and Safety Program & Policy		
Sub - Total			P	

II. Demolition Works (90 sq. meters)				
Quantity	Unit	Description	Unit Cost	Total Cost
1.00	lot	Demolition of Existing Roofing and Framing		
Sub - Total			P	

III. Formworks				
Quantity	Unit	Description	Unit Cost	Total Cost
	bd. Ft	Coco Lumber 2" x 2" x 10'		
	pcs	Ord. Plywood 1/4 x 4' x 8'		
1.00	lot	Assorted Nails		
Sub - Total			P	

IV. Reinforced Concrete Works (2.63 cu. meters)				
Quantity	Unit	Description	Unit Cost	Total Cost
	bags	Portland Cement		
	cu.m.	Sand S1		
	cu.m.	Gravel G1		
	pcs	16mm dia RSB x 6m		
	pcs	12mm dia RSB x 6m		
	pcs	10mm dia RSB x 6m		
	kgs	G.I. Tie Wire #16		
1.00	lot	Consumables		
Sub - Total			P	

V. Masonry Works (15 sq. meters)				
Quantity	Unit	Description	Unit Cost	Total Cost
	pcs	CHB 5"		
	bags	Portland Cement		
	cu.m.	Sand		



	pcs	10 mm dia RSB x 6m		
	kgs	G.I. Tie Wire #16		
1.00	lot	Consumables		

Sub - Total P

VI. General Finishes

Quantity	Unit	Description	Unit Cost	Total Cost
	gal	Red Oxide Primer		
1.00	lot	Touch Up Paint		
1.00	lot	Consumables		

Sub - Total P

VII. Truss and Tinsmithry Works (Roofing Works)

Quantity	Unit	Description	Unit Cost	Total Cost
70.00	ln. m	Rib-Type Roofing Sheet 4' x 0.60mm thk. (Pre-painted) (60 sq. meters)		
	sheets	Polycarbonate Twin Wall Sheet 4'x28'x6.0mm (Bronze) (30 sq. meters)		
	lgth	Pre-painted Plain Sheet 0.400mm x 18" x 8' (for Flashing)		
	pcs	Angle Bar 2"x2"x6mm x6.0m (length)		
	pcs	Fascia Board 12mm x 12" x 8'		
	pcs	Stainless Spanish Gutter 18" x 8' x 0.50mm		
	pcs	C-Purlins 2"x3"x1.5mm x6m (length)		
	pcs	2"x 2"x 1.5mm x 6m G.I. Tubular		
	pcs	10mm dia. Sagrods		
	box/es	Tekscrew 2"		
	kgs	Welding Rod		
1.00	sheets	Mild Steel Plate 4' x 8' x 4mm		
40.00	pcs	8mm x 95mm Chemical Capcule Anchor Bolt		
20.00	pcs	Carbon Steel Anchor Bolt M10 x 75 mm 10 mm		
24.00	pcs	M16 Anchor Bolt L-Type with Nut and Washer		
15.00	m	304 SS 6mm Tension Cable		
10.00	pcs	Eye - Jaw Turnbuckle 16mm		
1.00	lot	Consumables		

Sub - Total P

VIII. Ceiling Works

Quantity	Unit	Description	Unit Cost	Total Cost
80.00	pcs	PVC Ceiling Panels 250mm x 2.90mm x 8mm		
	pcs	PVC J Clip 8mm x 2.90m		
100.00	pcs	Metal Spandrel with Vent 4" x 3'		
	pcs	End Moulding 0.40mm x 8'		
	pcs	Metal Furring Double 0.400mm x 19mm x 50mm x 5m		
	pcs	Carrying Channel 0.700mm x 12mm x 38mm x 5m		
	pcs	Metal Wall Angle 0.400mm x 1" x 1" x 8'		
	pcs	W-Clip		
	pcs	Ceiling Hanger		
3.00	pcs	Hacksaw Blade		
	box	Alum. Blind Rivets 1/8" x 3/8"		
	kgs	Concrete Nail 1"		
	pcs	Metal Drill Bit 1/8"		
	pc	Diamond disc 4"		
1.00	lot	Consumables		

Sub - Total P

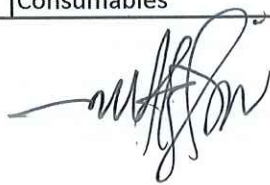


IX. Electrical Works				
Quantity	Unit	Description	Unit Cost	Total Cost
1.00	box	Electrical wire 3.5 mm ² , THHN wire		
8.00	pcs	Junction Box		
7.00	pcs	Utility Box		
4.00	sets	2 x 10 W Troffer Type Aluminum Louver Surface		
4.00	sets	Pinlight 6" dia (White) w/ 10w (LED) CFL		
		230V Recessed Type		
4.00	sets	Pinlight 6" dia (White) w/ 10w (LED) CFL		
		230V surface mounted		
7.00	sets	2 gang switch		
6.00	sets	Duplex Convenience Outlet		
6.00	pcs	3/4" PVC Pipe		
2.00	pcs	10 inches Ceiling Exhaust Fans		
1.00	lot	Consumables		

Sub - Total P

X. Sanitary Works				
Quantity	Unit	Description	Unit Cost	Total Cost
6.00	pcs	PVC Bend 3"Ø x 90°		
3.00	pcs	PVC Pipe S-1000 3"Ø x 10'		
1.00	lot	Consumables		

Sub - Total P



Republic of the Philippines
Southern Luzon State University
Project Management Office
Lucban, Quezon

PROJECT TITLE: Construction of Structural Framing System for Nipa Sugar Laboratory - SLSU Infanta
PROJECT LOCATION: SLSU Infanta Campus, Brgy. Tongohin, Infanta, Quezon
OWNER: Southern Luzon State University
SUBJECT: Scope of Works

SCOPE OF WORKS

I. DEMOLITION WORKS

- Dismantling of existing roof sheets and roof framing.

II. REINFORCED CONCRETE WORKS

- Construction of reinforced concrete works system with deformed bars layout arranged according to structural plans and specification, includes the following:
 - i. Roof Beams
 - ii. Column

NOTE: Use Grade 40 Reinforcing Steel and 28 days curing period for concrete.

- This item includes cement-plastering of all exposed surfaces of columns, beams, and stiffeners.

III. MASONRY WORKS

- Erecting of CHB walls
- Cement-plastering smooth-finish of all exposed concrete walls.

IV. GENERAL FINISHES

➤ **Painting Works**

- Cleaning and preparation of surface to be painted
- Application of metal primer on all metal surfaces
- Touch-up painting of welded or damaged areas and other areas that needs touch up on the roofing

V. TRUSS AND TINSMITHRY WORKS

- Fabrication and Installation of Trusses
- Installation of Purlins, sag rods, and secondary framing members
- Installation of Pre-painted Long-span Roofing Sheets, ridge rolls and flashings
- Installation of Pre-painted Fascia Cover
- Installation of Spanish Gutter

V. CEILING WORKS

- Installation of ceiling framing or supports
- Ensure that the support system is level and secure, providing adequate support for the PVC panels
- Installation of PVC Ceiling Panels & Metal Spandrel as specified

VI. ELECTRICAL WORKS

- Supply and Installation of electrical conduits, wires and cables

Republic of the Philippines
Southern Luzon State University
Project Management Office
Lucban, Quezon

- Supply and Installation of lighting fixtures and switches
- Supply and Installation of convenience outlets and ceiling mounted exhaust fans
- Provide and tap all electrical terminations
- All materials to be used shall be brand new and approved types for purpose and location.

Mounting height shall be as follows:


-Convenience outlet and wall switches shall be 300mm and 1200mm respectively from the finish floor line to the center of the device

- All works shall be done in accordance with the requirements of the latest edition of the Philippine Electrical Code and National Safety Code.
- All works shall be done in workmanlike manner and should present a neat and mechanical appearance when completed.
- Testing and Commissioning

VII. SANITARY/PLUMBING WORKS

- Installation of downspout pipes from roof gutter outlet to discharge point

Prepared by:


Engr. Mary Rose N. Bojelador
Assistant Planning Engineer/As Built-Occupancy/Project
Close out Section

Reviewed by:


Engr. Joel E. Morales
Project Development Officer I

Recommending Approval:


Engr. Melvin A. Makipagay
Director, Project Management Office

Approved by:


Frederick T. Villa, D.T.
University President

Republic of the Philippines
Southern Luzon State University
Project Management Office
Lucban, Quezon

PROJECT TITLE: Construction of Structural Framing System for Nipa Sugar Laboratory - SLSU Infanta
PROJECT LOCATION: SLSU Infanta Campus, Brgy. Tongohin, Infanta, Quezon
OWNER: Southern Luzon State University
PROJECT DURATION: 120 Calendar Days
SUBJECT: Minimum Technical Personnel and Equipment

MINIMUM TECHNICAL PERSONNEL AND EQUIPMENT

QUANTITY	MINIMUM TECHNICAL PERSONNEL
1	Project Manager / Project Engineer
1	Skilled
2	Welder
2	Labor

QUANTITY	MINIMUM EQUIPMENT
1	Bagger Mixer
1	Cut-Off Machine
1	Welding Machine

Prepared by:


Engr. Mary Rose N. Bojelador
Assistant Planning Engineer/As Built-Occupancy/Project
Close out Section

Reviewed by:

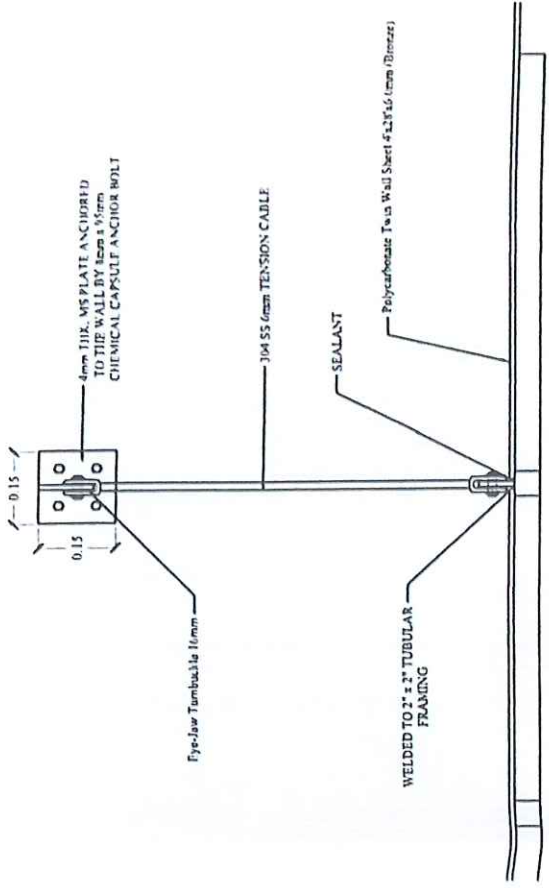
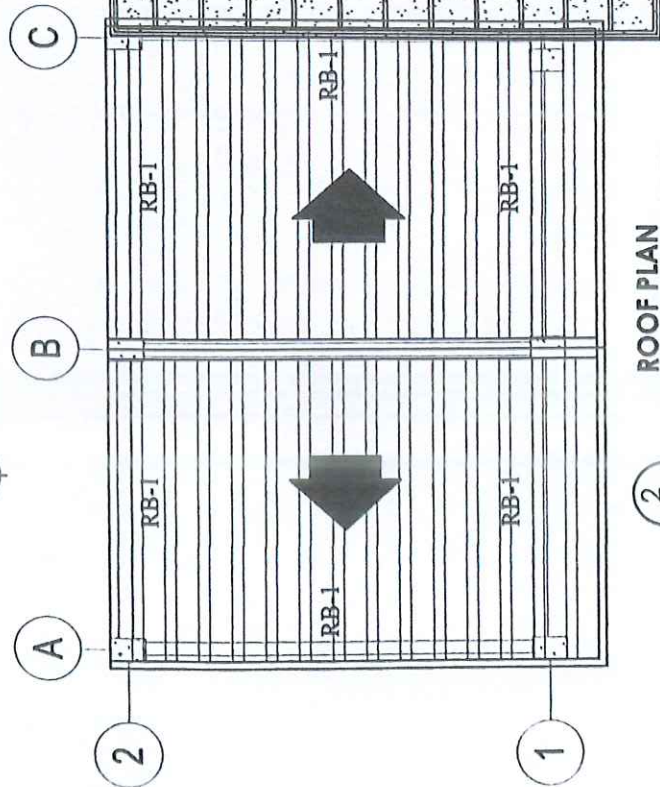
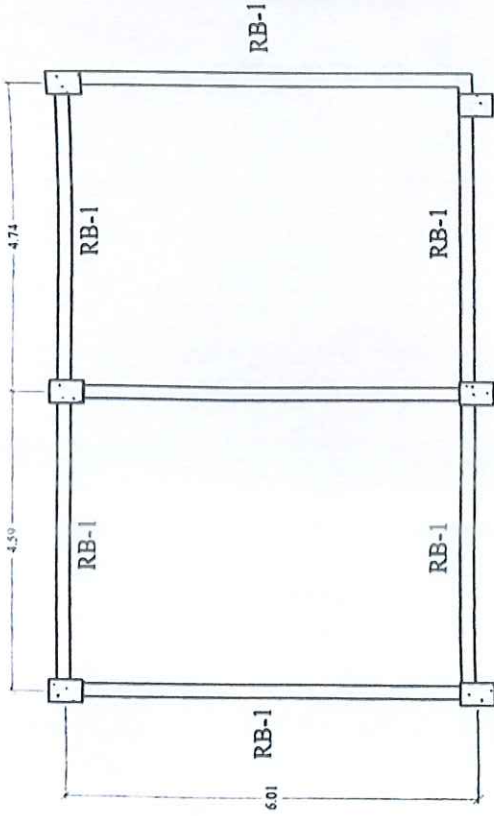

Engr. Joel E. Morales
Project Development Officer I

Recommending Approval:

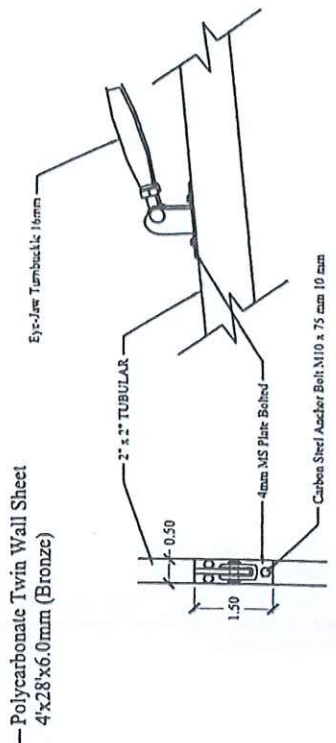

Engr. Melvin A. Makipagay
Director, Project Management Office

Approved by:


Frederick T. Villa, D.T.
University President

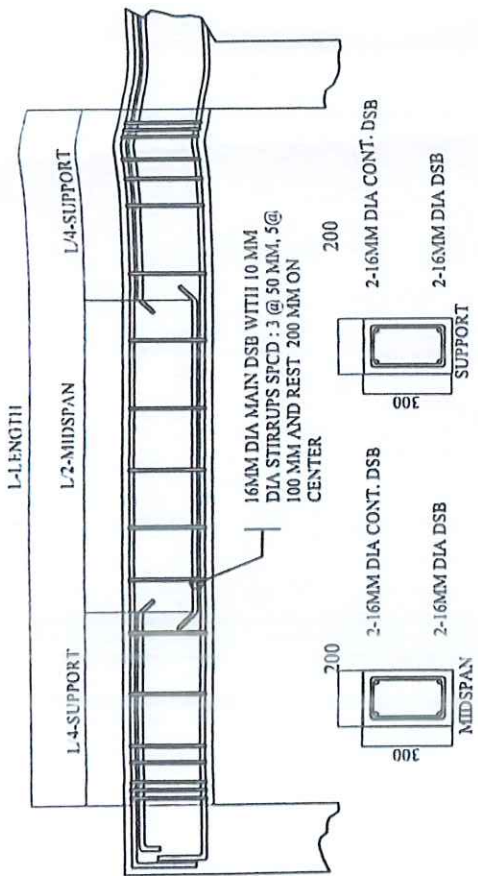


3 (S1) SCALE 1:10

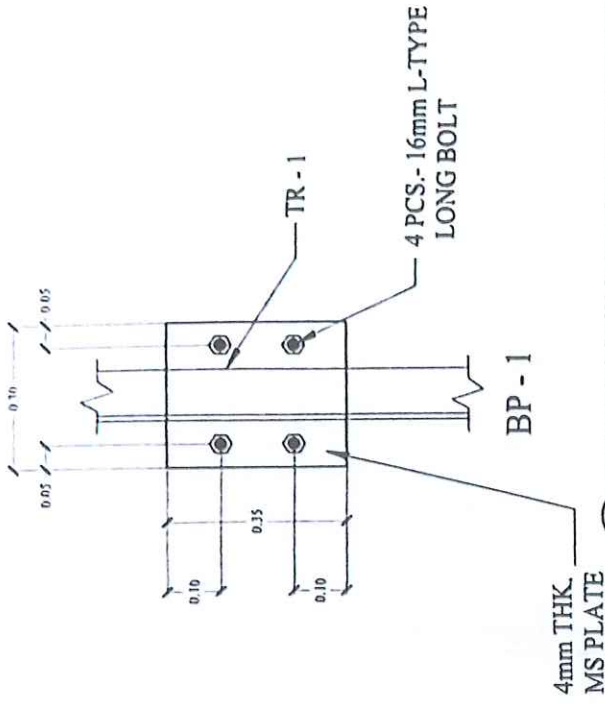


4 (S1) SCALE 1:10

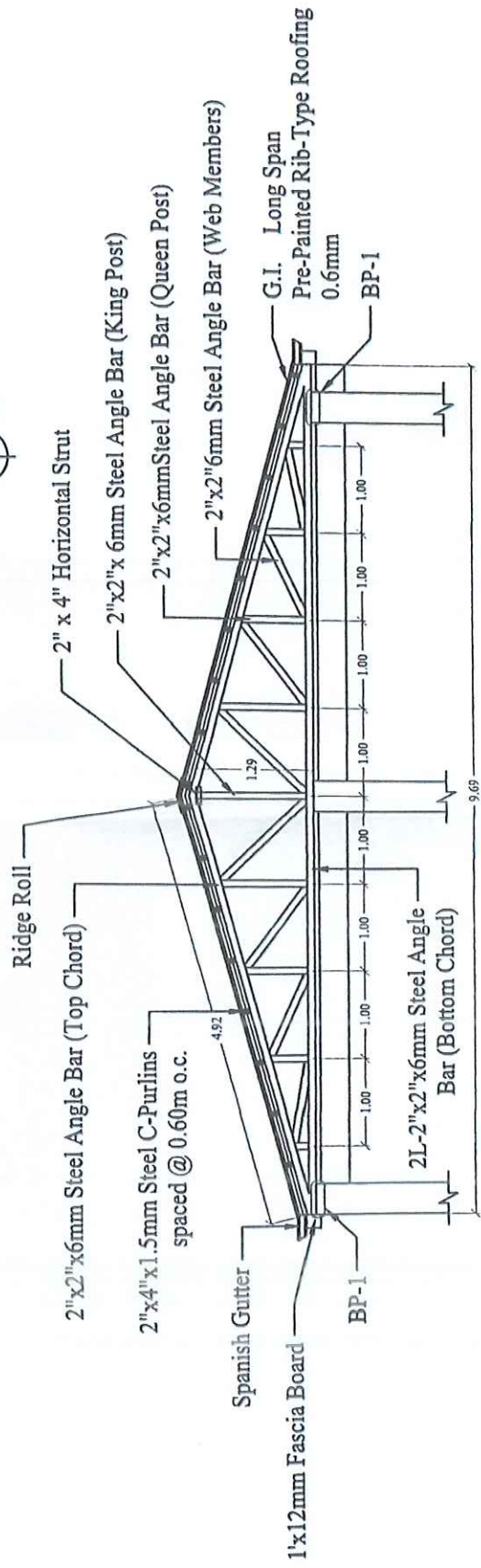
	PROJECT TITLE CONSTRUCTION OF STRUCTURAL FRAMING SYSTEM FOR NIPA SUGAR LABORATORY - SLSU INFANTA	PLANNED BY ENGR. <i>Walter N. Bojeador</i>	REVIEWED BY ENGR. <i>Jose E. Morales</i>	APPROVED BY DR. FREDERICK T. VILLA	SHEET # S1
	ARCHITECT / CIVIL ENGINEER DATE DRAWN BY CHECKED BY PROJECT MANAGER / OFFICE	PROJECT TITLE CONSTRUCTION OF STRUCTURAL FRAMING SYSTEM FOR NIPA SUGAR LABORATORY - SLSU INFANTA	PLANNED BY ENGR. <i>Walter N. Bojeador</i>	REVIEWED BY ENGR. <i>Jose E. Morales</i>	APPROVED BY DR. FREDERICK T. VILLA



ROOF BEAM DETAILS
SCALE 1:50



COLUMN-TRUSS CONNECTION DETAILS
SCALE 1:10

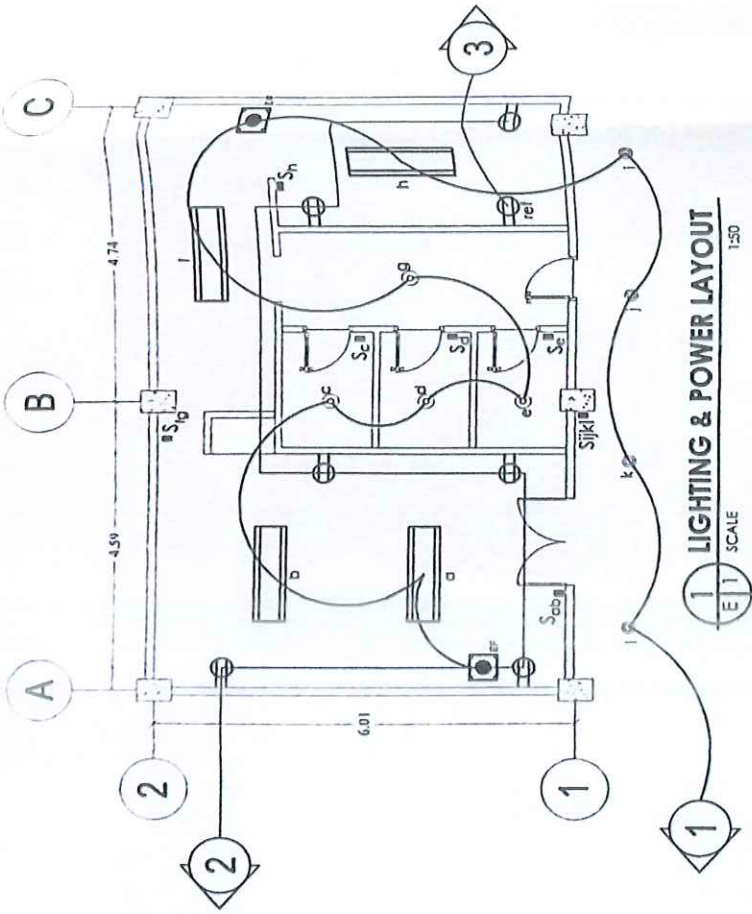


Truss Details (TR-1)
SCALE 1:50

	PROJECT TITLE CONSTRUCTION OF STRUCTURAL FRAMING SYSTEM FOR NIPA SUGAR LABORATORY - SLSU INFANTA	PLANNED BY ENGR. MARY JOSE BOLLADOR	REVIEWED BY ENGR. GILBERT FORALES	RECOMMENDED APPROVAL ENGR. MARY JOSE BOLLADOR	APPROVED BY DR. FREDERICK T. VILLA	SHEET NO. S3
	DRAWN BY DATE SHD CHECKED BY DATE SHD PROJECT NO.	DATE SHD DATE SHD DATE SHD	DATE SHD DATE SHD DATE SHD	DATE SHD DATE SHD DATE SHD	DATE SHD DATE SHD DATE SHD	DATE SHD DATE SHD DATE SHD

GENERAL ELECTRICAL NOTES:

1. ALL ELECTRICAL WORKS HEREIN SHALL BE DONE IN ACCORDANCE WITH THE PROVISIONS OF THE LATEST EDITION OF THE PHILIPPINE ELECTRICAL CODE, APPLICABLE ORDINANCES, RULES AND REGULATIONS OF THE LOCAL GOVERNMENT AND REQUIREMENTS OF THE LOCAL POWER COMPANY.
2. ALL WIRING SHALL BE INSTALLED IN STANDARD CONDUITS RUN EMBEDDED IN CONCRETE AND HOLLOW BLOCK STRUCTURES, COLUMNS, WALLS, PARTITIONS, AND OR RUN CONCEALED BETWEEN DOUBLE WALL PARTITIONS AND INSIDE THE CEILING SPACES. WHERE THE USE OF THE CONCEALED CONDUIT WIRING IS IMPRACTICABLE, SURFACE METAL MOULDING MAYBE USED.
3. WHEREVER REQUIRED AND NECESSARY, PULL BOXES OR JUNCTION BOXES OF PROPER SIZES SHALL BE INSTALLED AT CONVENIENCE AND INCONSPICUOUS LOCATIONS. ALTHOUGH SUCH BOXES ARE NOT SHOWN ON THE PLAN NOR MENTIONED IN THE SPECIFICATIONS.
4. THE ELECTRICAL WORKS SHALL BE DONE UNDER THE DIRECT AND IMMEDIATE SUPERVISION OF A DULY LICENSED ELECTRICAL ENGINEER AND REGISTERED MASTER ELECTRICIAN.



1 LIGHTING & POWER LAYOUT
SCALE 1:50

SCHEDULE OF LOADS & CALCULATIONS

CIRCUIT No.	LOAD DESCRIPTION	No. OF OUTLET	VOLTS	WATTS	AMPERES	No. OF POLE	BREAKER	WIRE SIZE	CONDUIT DIAMETER(MM)
1	LIGHTING OUTLET	12	230	1200	5.22	2P	20	2-3.5mm ² THHN	Ø20MM PVC
2	CONVENIENCE OUTLET	6	230	1080	4.69	2P	20	2-3.5mm ² THHN	Ø20MM PVC
3	REFRIGERATOR OUTLET	1	230	1000	4.35	2P	20	2-3.5mm ² THHN	Ø20MM PVC
4	SPARE								
TOTAL		19		3280	14.26				

PANEL BOARD 1
SERVICE VOLTAGE: 230V, 2P, 60 HZ

FOR MAIN PANEL PROTECTION USED :
2P-40 AMP ACB

FOR MAIN FEEDER WIRE LINE USED : 2-8.0mm² THWN IN 20mm Ø RSC

ALLIYING DEMAND FACTOR OF 80% IN EXCESS
 $I_T = 3280/230 = 14.26$
 $I_T = 11.41 \text{ AMP}$

MINIMUM AMPACITY OF MAIN FEEDER:
 $I = 14.26 \text{ AMP (0.80)}$
 $I = 11.41 \text{ AMP}$

LEGENDS:

SYMBOL	DESCRIPTION
⊖	2-10W, LED LIGHTING FIXTURE
⊖	10W RECESSED LED DOWN LIGHT
⊖	10W SURFACE MOUNTED LED DOWN LIGHT
⊖	100W CHANDELIER
S ₁	ONE GANG SWITCH-1 WAY
S ₂	TWO GANG SWITCH-1 WAY
S ₃	THREE GANG SWITCH-1 WAY
S ₄	FOUR GANG SWITCH-1 WAY
PB	PANEL BOARD
3	CIRCUIT NO.
⊖	TWO GANG, 200V CONVENIENCE OUTLET
⊖	THREE GANG, 200V CONVENIENCE OUTLET
⊖	1 HP SPLIT TYPE AIRCONDITION UNIT
⊖	REFRIGERATOR
⊖	MICROWAVE OVEN

	PROJECT TITLE CONSTRUCTION OF STRUCTURAL FRAMING SYSTEM FOR NIPA SUGAR LABORATORY - SLSU INFANTA	DESIGNED BY ENGR. MELVIN M. MARIAGA	APPROVED BY DR. FREDERICK T. VILLA	PROJECT NO. E1 E1
	PROJECT LOCATION BRGY. TONGOH, BIFANTA, QUEZON	DATE ISSUED MAY 2024	DATE CHECKED MAY 2024	DATE REVISION MAY 2024
PROFESSIONAL ELECTRICAL ENGINEER	REGISTERED APPROVAL	REGISTERED APPROVAL	REGISTERED APPROVAL	REGISTERED APPROVAL